

# RETAIL AIR SYSTEMS

P.O. Box 21532  
 Chattanooga, TN 37424  
 Phone: (800) 245-8104 Fax: (423) 553-1008

APPROVED BY: \_\_\_\_\_

DATE APPROVED: \_\_\_\_\_

## CPM-5 (Insulated) (1-Piece) Metal Bldg. Roof Curb

### STANDARD FEATURES

1. 18 Ga. Prime Galvalume Steel Construction.
2. Corners Mitered and Welded Watertight.
3. Curbs Prime Painted after Fabrication.
4. Water Cricket.
5. 8" Minimum Height.
6. Internal Angle Reinforcing.
7. 1 1/2" Thick, 3# Density Fiberglass Insulation.

### OPTIONS

- 1.
- 2.
- 3.
- 4.

PROJECT NAME: \_\_\_\_\_

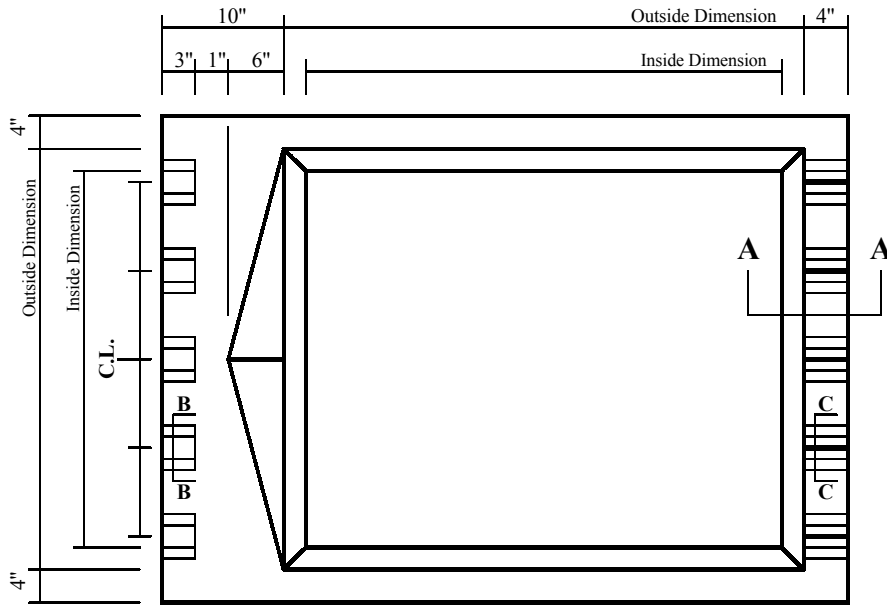
CITY, STATE: \_\_\_\_\_

CUSTOMER: \_\_\_\_\_

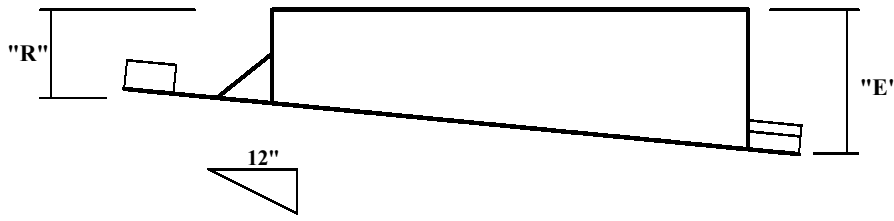
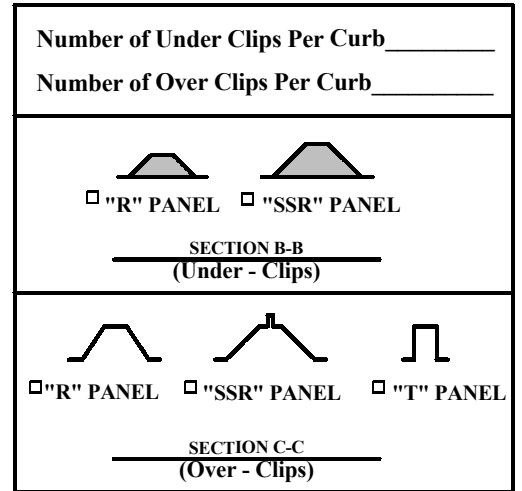
JOB NUMBER: \_\_\_\_\_

Note: The Front Flange Fits Under the Roof Panel  
 The Rear and Side Flanges Fit Over the Roof Panel

CLIPS TO MATCH THIS ROOF PANEL \_\_\_\_\_

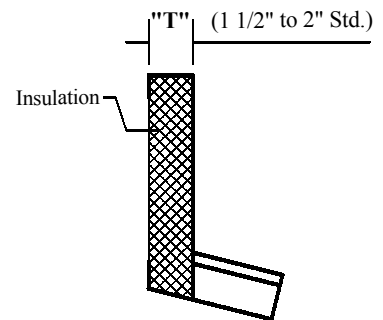


**PLAN VIEW**



**PITCH**

**ELEVATION**



**SECTION A-A**

QUANTITY	INSIDE DIMENSION	OUTSIDE DIMENSION	"R"	"E"	"T"	TAG
x	x	x				

# RETAIL AIR SYSTEMS

P.O. Box 21532  
 Chattanooga, TN 37424  
 Phone: (800) 245-8104 Fax: (423) 553-1008

APPROVED BY: \_\_\_\_\_

DATE APPROVED: \_\_\_\_\_

## CPM-5 (Insulated) (2-Piece) Metal Bldg. Roof Curb

### STANDARD FEATURES

1. 18 Ga. Prime Galvalume Steel Construction.
2. Corners Mitered and Welded Watertight.
3. Curbs Prime Painted after Fabrication.
4. (Seperate) 14 Gauge Water Diverter Panel.
5. 8" Minimum Height.
6. Internal Angle Reinforcing.
7. 1 1/2" Thick, 3# Density Fiberglass Insulation.

### OPTIONS

- 1.
- 2.
- 3.
- 4.

PROJECT NAME: \_\_\_\_\_

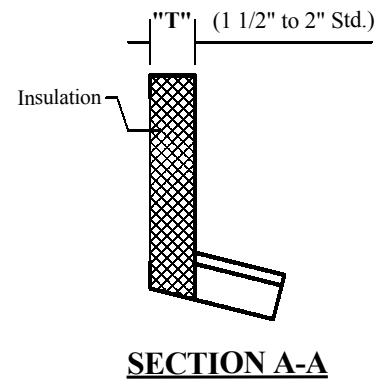
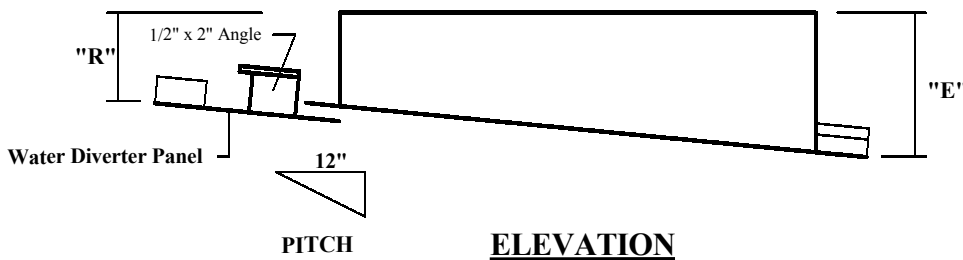
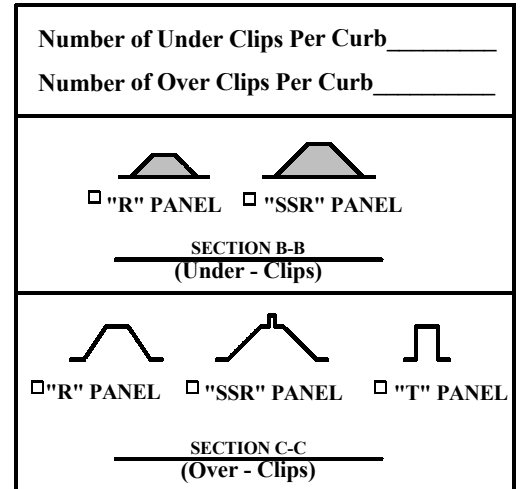
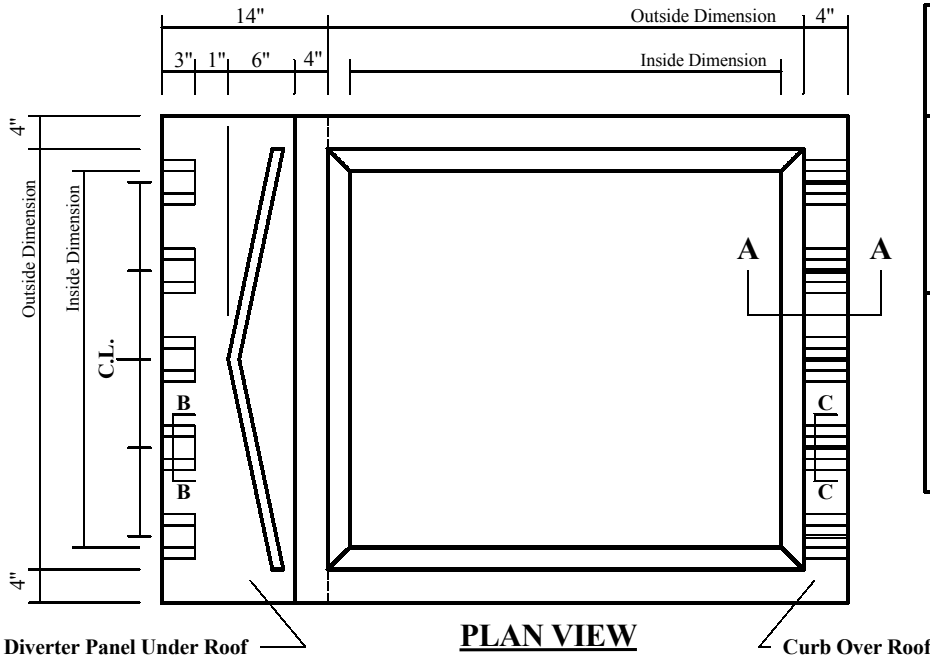
CITY, STATE: \_\_\_\_\_

CUSTOMER: \_\_\_\_\_

JOB NUMBER: \_\_\_\_\_

Note: The Front Diverter Panel Fits Under the Roof Panel  
 The Curb Flanges Fit Over the Roof Panel

CLIPS TO MATCH THIS ROOF PANEL \_\_\_\_\_



QUANTITY	INSIDE DIMENSION	OUTSIDE DIMENSION	"R"	"E"	"T"	TAG
	x	x				