

# RETAIL AIR SYSTEMS

P.O. Box 21532  
 Chattanooga, TN 37424  
 Phone: (800) 245-8104 Fax: (423) 553-1008

APPROVED BY: \_\_\_\_\_

DATE APPROVED: \_\_\_\_\_

## CPM-8 (Non-Insulated) Metal Bldg. Roof Curb

### STANDARD FEATURES

1. 18 Ga. Prime Galvalume Steel Construction.
2. Corners Mitered and Welded Watertight.
3. Curbs Prime Painted after Fabrication.
4. Water Cricket.
5. 8" Minimum Height.
6. No Clips.
7. No Insulation.

### OPTIONS

- 1.
- 2.
- 3.
- 4.

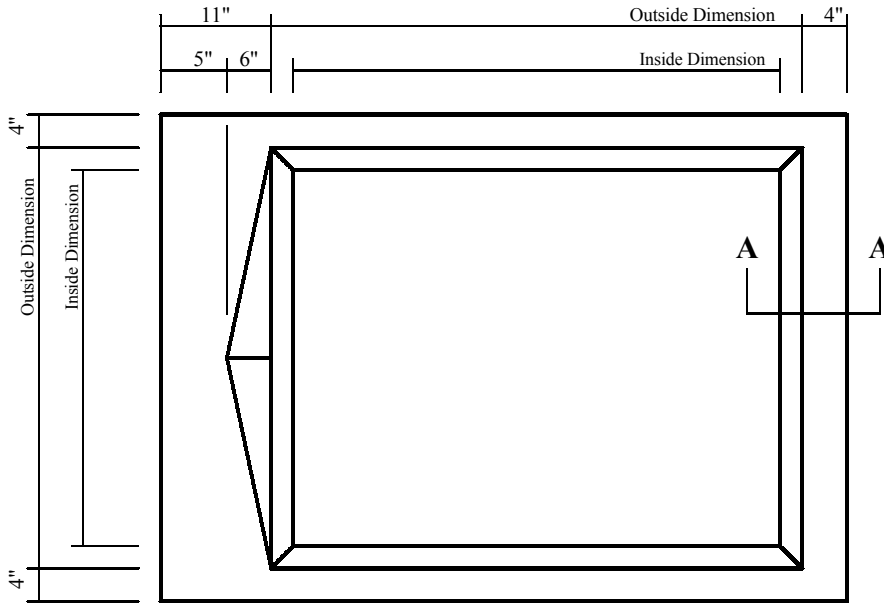
PROJECT NAME: \_\_\_\_\_

CITY, STATE: \_\_\_\_\_

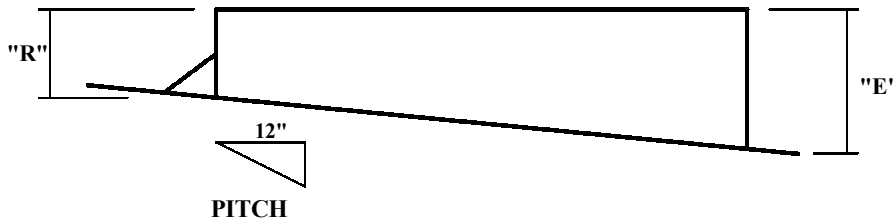
CUSTOMER: \_\_\_\_\_

JOB NUMBER: \_\_\_\_\_

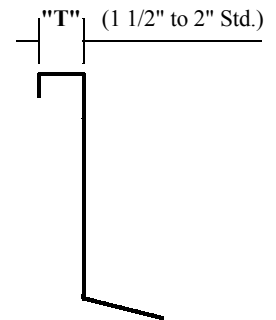
Note: The Front, Rear, and Side Flanges Fit Under the Roof Panel



**PLAN VIEW**



**ELEVATION**



**SECTION A-A**

QUANTITY	INSIDE DIMENSION	OUTSIDE DIMENSION	"R"	"E"	"T"	TAG
	x	x				

# RETAIL AIR SYSTEMS

P.O. Box 21532  
 Chattanooga, TN 37424  
 Phone: (800) 245-8104 Fax: (423) 553-1008

APPROVED BY: \_\_\_\_\_

DATE APPROVED: \_\_\_\_\_

## CPM-8 (Non-Insulated) Ridge Mounted Metal Bldg. Roof Curb

### STANDARD FEATURES

1. 18 Ga. Prime Galvalume Steel Construction.
2. Corners Mitered and Welded Watertight.
3. Curbs Prime Painted after Fabrication.
4. 8" Minimum Height.
5. No Clips.
6. No Insulation.

### OPTIONS

- 1.
- 2.
- 3.
- 4.

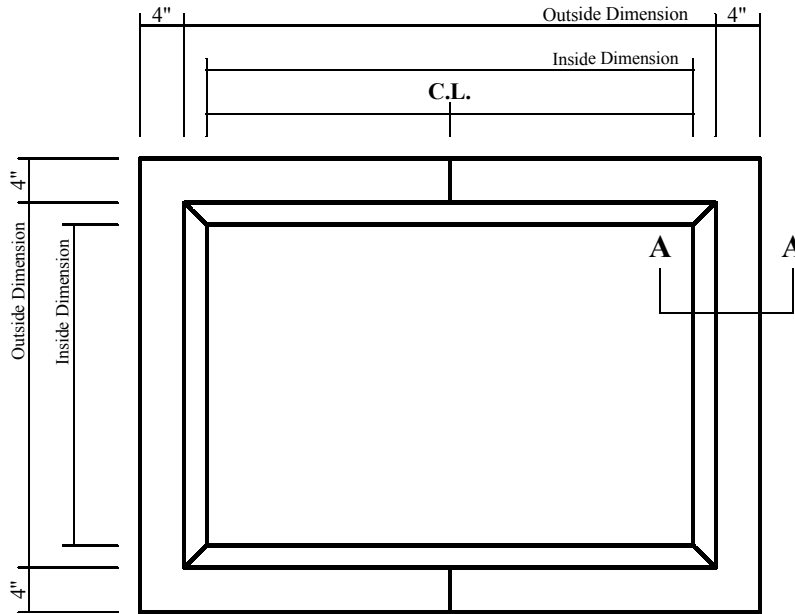
PROJECT NAME: \_\_\_\_\_

CITY, STATE: \_\_\_\_\_

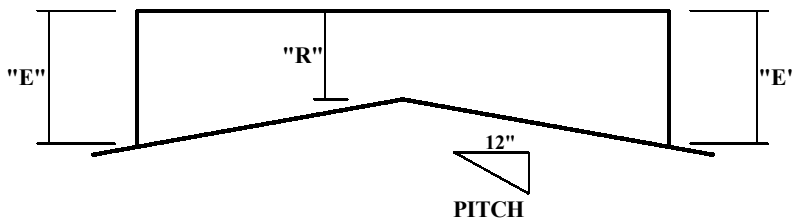
CUSTOMER: \_\_\_\_\_

JOB NUMBER: \_\_\_\_\_

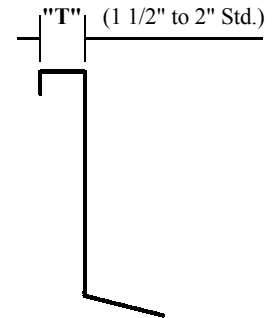
Note: The Front, Rear, and Side Flanges Fit Under the Roof Panel



**PLAN VIEW**



**ELEVATION**



**SECTION A-A**

QUANTITY	INSIDE DIMENSION	OUTSIDE DIMENSION	"R"	"E"	"T"	TAG
	x	x				